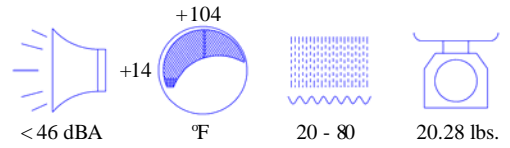


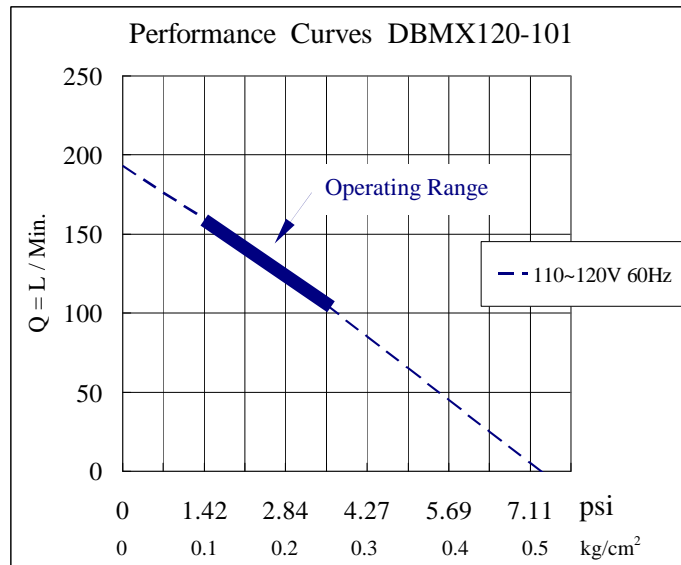


Model No. DBMX120-101

Performance / Rendimiento / Prestanda

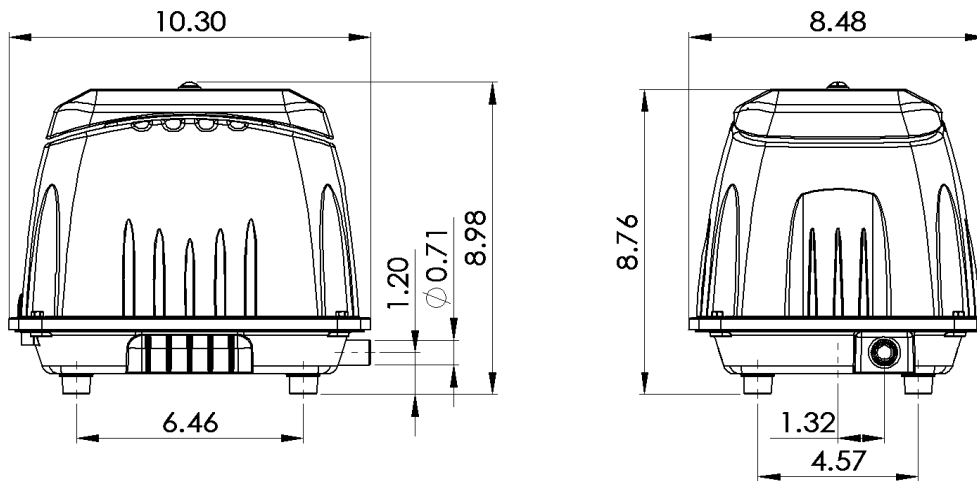


★ Allowance : ±5%



Output Pressure

Dimensions / Dimensioner (in)



Operating Range : 1.4 to 3.6 psi

Model No.	Voltage (VAC)	Frequency (HZ)	Rated Pressure (psi)	Airflow (LPM)	AMP (A)	WATT (W)
DBMX120-101	110 ~ 120	60	2.84	120	1.5	126