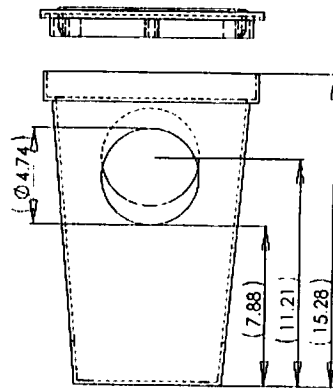
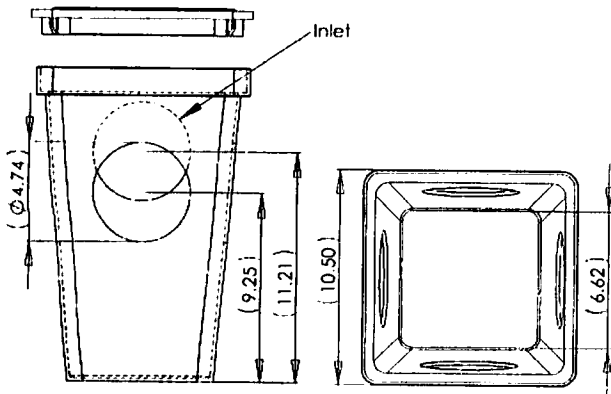
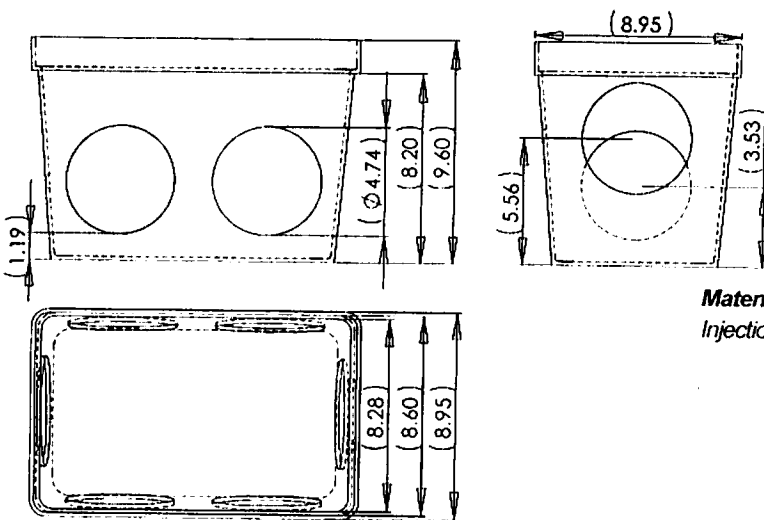


4HD2



6HD2



Materials:
Injection molded high density polyethylene plastic