

quality . service  
innovation . integrity

# Model 264



"The color green is a registered trademark of Zoeller Pump Co."

## Features

This series of submersible pumps is designed for use in residential or light commercial dewatering and wastewater applications and can be used to transfer effluent or raw sewage. The innovative vortex impeller design reduces the risk of clogging and allows each pump to pass 2" (50 mm) spherical solids. These durable cast iron pumps include a powder coated epoxy finish to prevent corrosion and are designed to provide great heat dissipation from the motor, ensuring a long service life. As with every Zoeller pump, each one is 100% pressure-tested, submerged and run to ensure quality and reliability for years of trouble-free performance! This attention to detail is an inherent feature of every pump in this series, making it one of the most reliable in the industry.

- Automatic models include a float-operated, 2-pole mechanical switch, a stainless steel float guard and switch arm, and a solid, buoyant polypropylene float, which prevents water from filling the float and causing a malfunction.
- For nonautomatic pumps, variable level control systems and containers of various sizes are available for longer cycles.
- Includes a stainless steel handle for easy installation and removal.
- All models are hermetically sealed to be watertight, dust-tight, and completely submersible.

Reserve Powered Design: For unusual conditions, a reserve safety factor is engineered in the design of every pump.

## Specifications

### Motor Characteristics

Motor	4/10 HP
Voltage	115 or 230 V
Phase	1 Ph
Hertz	60 Hz
RPM	1725 RPM
Type	Permanent split capacitor
Insulation	Class B
Amps	4.7 - 9.4 Amps

### Pump Characteristics

Operation	Automatic or nonautomatic
Auto On/ Off Points	12-1/2" / 4-1/2 (31.8 cm / 11.4 cm)
Discharge Size	2" NPT
Solids Handling	2" (50 mm) spherical solids
Cord Length	10' (3 m) automatic, 15' (5 m) nonauto
Cord Type	UL listed, 3-wire cord and plug
Max Head	18' (5.5 m)
Max Flow Rate	90 GPM (341 LPM)
Max Operating Temp	130 °F (54 °C)
Cooling	Oil filled
Motor Protection	Auto reset thermal overload

### Materials Characteristics

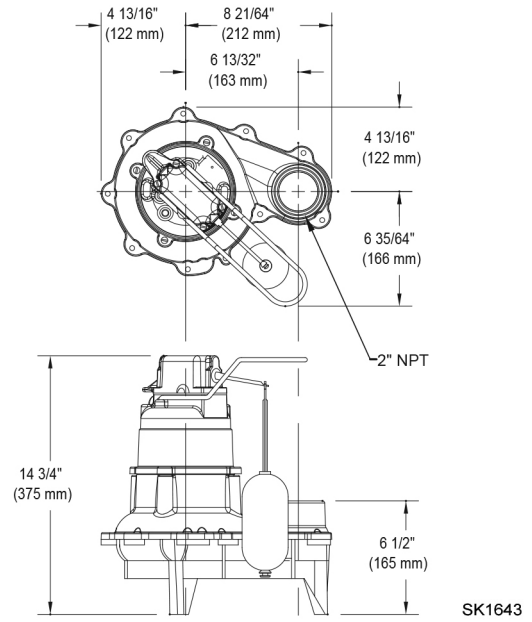
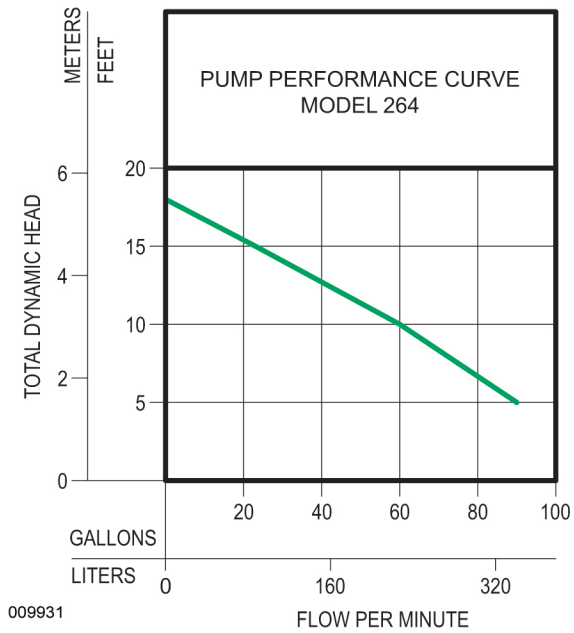
Cap	Cast iron
Motor Housing	Cast iron
Pump Housing	Cast iron
Base	Engineered plastic
Upper Bearing	Sleeve bearing
Lower Bearing	Sleeve bearing
Mechanical Seals	Carbon and ceramic
Impeller Type	Non-clogging vortex
Impeller	Engineered plastic
Hardware	Stainless steel
Motor Shaft	A151 1215 Steel
Gasket	Neoprene or Buna-N



**PUMP COMPANY**

Zoeller Family of Water Solutions™

# Model 264



## Model

Model Number	Seal	Mode	Volts	Phase	Amps	HP	Hz	Lbs	Kg
M264	Single	Auto	115	1	9.4	4/10	60	35.5	16
N264	Single	Non	115	1	9.4	4/10	60	34.5	15.6
BN264	Single	Auto	115	1	9.4	4/10	60	40	18
D264	Single	Auto	230	1	4.7	4/10	60	35.5	16
E264	Single	Non	230	1	4.7	4/10	60	34.5	15.6
BE264	Single	Auto	230	1	4.7	4/10	60	40	18

Additional cord lengths are available in 25' (8 m) and 35' (11 m). 50' (15 m) cords are available for 230 V units only.

**Your Peace of Mind is Our Top Priority®**  
3649 Cane Run Rd | Louisville, KY 40211 USA

+1 502-778-2731 | 1-800-928-7867 | Fax: +1 502-774-3624

[www.zoeller.com](http://www.zoeller.com)