

quality . service
innovation . integrity

260 Series




"The color green
is a registered
trademark of
Zoeller Pump Co."



Features

The "Waste-Mate" series of submersible pumps is designed for use in residential or light commercial dewatering and wastewater applications and can be used to transfer groundwater, effluent or raw sewage. The innovative vortex impeller design reduces the risk of clogging and allows each pump to pass 2" (50 mm) spherical solids. These durable cast iron pumps include a powder coated epoxy finish to prevent corrosion and are designed to provide great heat dissipation from the motor, ensuring a long service life. As with every Zoeller pump, each one is 100% pressure-tested, submerged and run to ensure quality and reliability for years of trouble-free performance!

- Automatic models include a float-operated, 2-pole mechanical switch, a stainless steel float guard and switch arm, and a solid, buoyant polypropylene float, which prevents water from filling the float and causing a malfunction.
- For nonautomatic pumps, variable level control systems and containers of various sizes are available for longer cycles.
- Includes a stainless steel handle for easy installation and removal.
- All models are hermetically sealed to be watertight, dust-tight, and completely submersible.

Reserve Powered Design: For unusual conditions, a reserve safety factor is engineered into the design of every pump.

Specifications

Motor Characteristics

Motor	1/2 HP
Voltage	115 - 460 V
Phase	1 or 3 Ph
Hertz	60 Hz
RPM	1750 RPM
Type	Split phase or 3 phase
Insulation	Class B
Amps	1.5 - 10.4 Amps

Pump Characteristics

Operation	Automatic or nonautomatic
Auto On/ Off Points	12" / 4" (30 cm / 10 cm)
Discharge Size	2" or 3" NPT
Solids Handling	2" (50 mm) spherical solids
Cord Length	10' (3 m) auto, 15' (5 m) nonauto standard
Cord Type	UL listed, 3-wire neoprene cord and plug
Max Head	21.5' (6.6 m)
Max Flow Rate	128 GPM (484 LPM)
Max Operating Temp	130 °F (54 °C)
Cooling	Oil filled
Motor Protection	Auto reset thermal overload (1 Ph)

Materials Characteristics

Cap	Cast iron
Motor Housing	Cast iron
Pump Housing	Cast iron
Base	Cast iron or engineered plastic
Upper Bearing	Sleeve bearing
Lower Bearing	Sleeve bearing
Mechanical Seals	Carbon and ceramic
Impeller Type	Non-clogging vortex
Impeller	Engineered plastic with metal insert
Hardware	Stainless steel
Motor Shaft	AISI 1215 cold rolled steel
Gasket	Neoprene

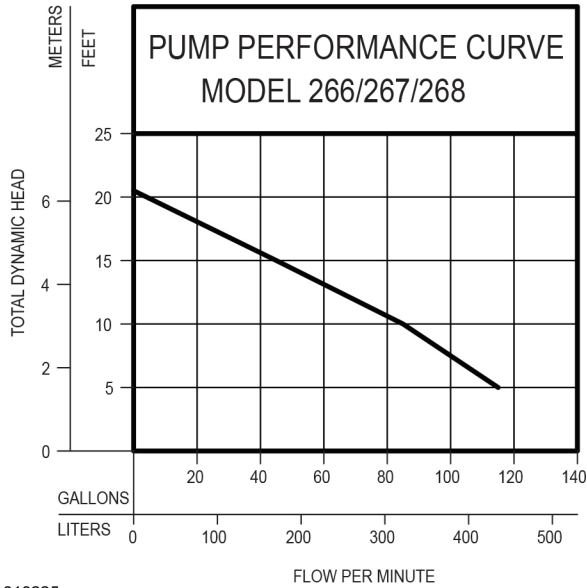


PUMP COMPANY

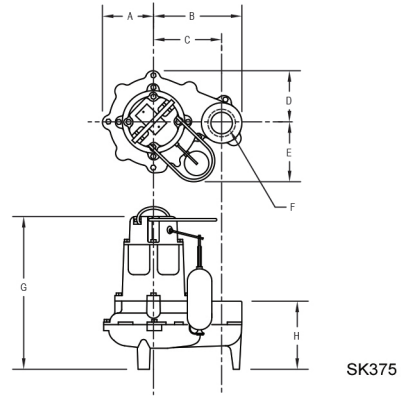
Zoeller Family of Water Solutions™



260 Series



013225



SK375

MODEL	A	B	C	D	E	F	G	H
266	4-3/4" (12.1 cm)	8-5/16" (21.1 cm)	6 13/32" (16.3 cm)	4-3/4" (12.1 cm)	6 15/32" (16.4 cm)	2" NPT	14-1/32" (35.6 cm)	6-3/32" (15.5 cm)
267	4-3/4" (12.1 cm)	8-5/16" (21.1 cm)	6 13/32" (16.3 cm)	4-3/4" (12.1 cm)	6 15/32" (16.4 cm)	2" NPT	14-5/8" (37.2 cm)	6-3/4" (17.1 cm)
268	4-3/4" (12.1 cm)	8-13/32" (21.4 cm)	6 13/32" (16.3 cm)	4-3/4" (12.1 cm)	6 15/32" (16.4 cm)	2 or 3" NPT	14-5/8" (37.2 cm)	9-1/16" (23.0 cm)

Model

Model Number	Seal	Mode	Volts	Phase	Amps	HP	Hz	Lbs	Kg
M266/BN266	Single	Auto	115	1	10.4	1/2	60	41	19
N266	Single	Non	115	1	10.4	1/2	60	41	19
D266/BE266	Single	Auto	230	1	5.5	1/2	60	41	19
E266	Single	Non	230	1	5.5	1/2	60	41	19
H266	Single	Auto	200-208	1	6.2	1/2	60	41	19
I266	Single	Non	200-208	1	6.2	1/2	60	41	19
J266	Single	Non	200-208	3	2.6	1/2	60	41	19
F266	Single	Non	230	3	2.6	1/2	60	40	18
G266	Single	Non	460	3	1.5	1/2	60	40	18
M267/BN267	Single	Auto	115	1	10.4	1/2	60	47.5	22
N267	Single	Non	115	1	10.4	1/2	60	47.5	22
D267/BE267	Single	Auto	230	1	5.5	1/2	60	47.5	22
E267	Single	Non	230	1	5.5	1/2	60	47.5	22
H267	Single	Auto	200-208	1	6.2	1/2	60	47.5	22
I267	Single	Non	200-208	1	6.2	1/2	60	47.5	22
J267	Single	Non	200-208	3	2.6	1/2	60	47.5	22
F267	Single	Non	230	3	2.6	1/2	60	47.5	22
G267	Single	Non	460	3	1.5	1/2	60	47.5	22
M268/BN268	Single	Auto	115	1	10.4	1/2	60	51	23
N268	Single	Non	115	1	10.4	1/2	60	51	23
D268/BE268	Single	Auto	230	1	5.5	1/2	60	51	23
E268	Single	Non	230	1	5.5	1/2	60	51	23
H268	Single	Auto	200-208	1	6.2	1/2	60	51	23
I268	Single	Non	200-208	1	6.2	1/2	60	51	23
J268	Single	Non	200-208	3	2.6	1/2	60	51	23
F268	Single	Non	230	3	2.6	1/2	60	51	23
G268	Single	Non	460	3	1.5	1/2	60	51	23

Model 266 features a plastic base. Models 267 and 268 feature a cast iron base. Model 267 is available with a cast iron impeller, which is standard on all 3 phase units. Model 268 includes a 2" NPT female and 3" NPT male discharge. BN and BE models include a variable level pump switch. Additional cord lengths are available in 15' (5 m), 35' (11 m) and 50' (15 m).

Your Peace of Mind is Our Top Priority®
3649 Cane Run Rd | Louisville, KY 40211 USA

+1 502-778-2731 | 1-800-928-7867 | Fax: +1 502-774-3624

www.zoeller.com