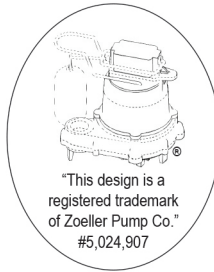


quality . service
innovation . integrity

50 Series



"The color green is a registered trademark of Zoeller Pump Co."

Features

The "Mighty-Mate" series of submersible pumps is designed for use in residential or light commercial dewatering applications and can be used to transfer groundwater or effluent. Cast iron models include a powder coated epoxy finish to prevent corrosion and are designed to provide great heat dissipation from the motor, ensuring a long service life. As with every Zoeller pump, each one is 100% pressure-tested, submerged and run to ensure quality and reliability for years of trouble-free performance! This attention to detail is an inherent feature of every pump in this series, making it one of the most reliable in the industry.

- Automatic models include a float-operated, 2-pole mechanical switch, a stainless steel float guard and switch arm, and a solid, buoyant polypropylene float, which prevents water from filling the float and causing a malfunction.
- For nonautomatic pumps, variable level control systems and containers of various sizes are available for longer cycles.
- Includes a stainless steel handle for easy installation and removal.
- All models are hermetically sealed to be watertight, dust-tight, and completely submersible.

Reserve Powered Design: For unusual conditions, a reserve safety factor is engineered into the design of every pump.

Specifications

Motor Characteristics

Motor	3/10 HP
Voltage	115 or 230 V
Phase	1 Ph
Hertz	60 Hz
RPM	1550 RPM
Type	Shaded pole
Insulation	Class B
Amps	4.8 - 9.7 Amps

Pump Characteristics

Operation	Automatic or nonautomatic
Auto On/ Off Points	7-1/4" / 3" (18.4 cm / 7.6 cm)
Discharge Size	1-1/2" NPT
Solids Handling	1/2" (12 mm) spherical solids
Cord Length	9' (3 m) auto, 15' (5 m) nonauto
Cord Type	UL listed, 3-wire cord and plug
Max Head	19.25' (5.9 m)
Max Flow Rate	43 GPM (163 LPM)
Max Operating Temp	130 °F (54 °C)
Cooling	Oil filled
Motor Protection	Auto reset thermal overload

Materials Characteristics

Cap	Cast iron or bronze
Motor Housing	Cast iron or bronze
Pump Housing	Cast iron or bronze
Base	Cast iron, bronze or engineered thermoplastic
Upper Bearing	Sleeve bearing
Lower Bearing	Sleeve bearing
Mechanical Seals	Carbon and ceramic
Impeller Type	Non-clogging vortex
Impeller	Plastic, cast iron or bronze
Hardware	Stainless steel
Motor Shaft	AISI 1215 cold roll steel
Gasket	Neoprene



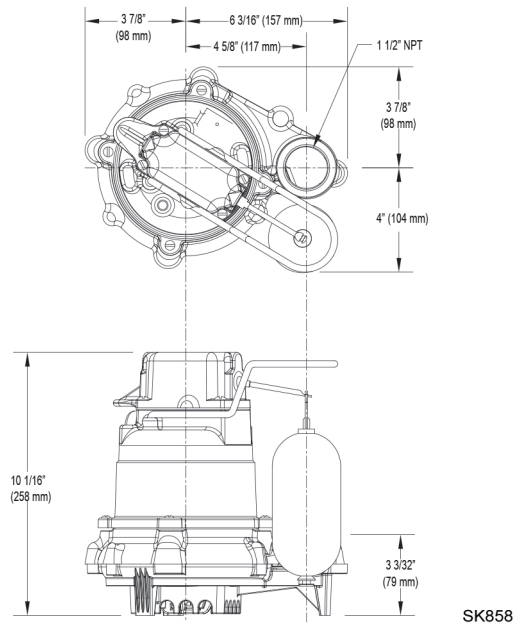
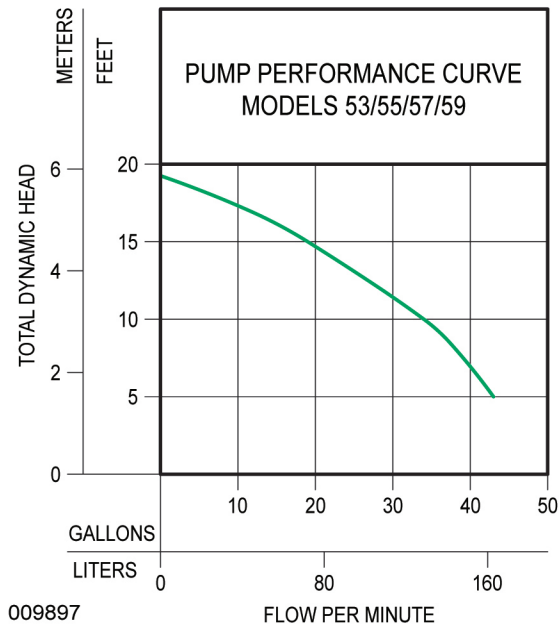
PUMP COMPANY

Zoeller Family of Water Solutions™

FM0493_Ea

Updated 0116
Supersedes 1216

50 Series



Model

Model Number	Seal	Mode	Volts	Phase	Amps	HP	Hz	Lbs	Kg
M53 / M55	Single	Auto	115	1	9.7	3/10	60	23	10
N53 / N55	Single	Non	115	1	9.7	3/10	60	23	10
BN53	Single	Auto	115	1	9.7	3/10	60	25	11
BE53 / BE57	Single	Auto	230	1	4.8	3/10	60	24 / 30	11 / 13
D53	Single	Auto	230	1	4.8	3/10	60	23	10
E53	Single	Non	230	1	4.8	3/10	60	22	10
M57 / M59	Single	Auto	115	1	9.7	3/10	60	29 / 33	13 / 15
N57 / N59	Single	Non	115	1	9.7	3/10	60	28 / 29	12 / 13
BN57	Single	Auto	115	1	9.7	3/10	60	30	13
D57 / D59	Single	Auto	230	1	4.8	3/10	60	30 / 33	13 / 15
E57 / E59	Single	Non	230	1	4.8	3/10	60	28 / 29	12 / 13
E59	Single	Non	230	1	4.8	3/10	60	29	13

Additional cord lengths are available in 15' (5 m), 25' (8 m) and 35' (11 m). 50' (15 m) cord lengths available for 230 V units only.

BE and BN models include a piggyback variable level pump switch. Model 53: cast iron switch case, motor and pump housing, and a glass-filled plastic impeller. Model 57: cast iron construction with a cast iron impeller. Model 55: bronze switch case, motor and pump housing, and a glass-filled plastic impeller. Model 59: bronze construction with a bronze impeller.

Optional pump stand (P/N 10-2421). The stand, made of durable, non-corrosive ABS, attaches securely to the pump and is intended to reduce clogging by debris, eliminate the need for bricks or blocks under the pump, and provide the ability to raise the intake by adding sections of 1-1/2" or 2" (DN40 or DN50) PVC.

Your Peace of Mind is Our Top Priority®
3649 Cane Run Rd | Louisville, KY 40211 USA

+1 502-778-2731 | 1-800-928-7867 | Fax: +1 502-774-3624

www.zoeller.com