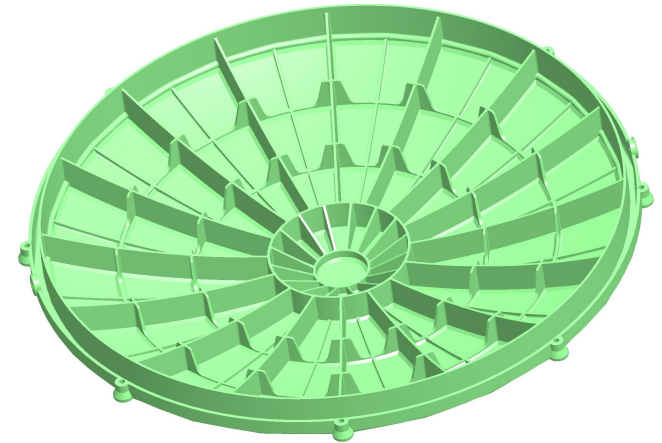
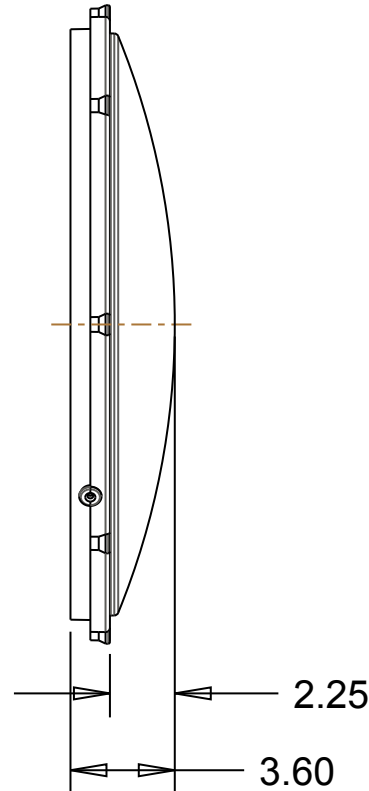
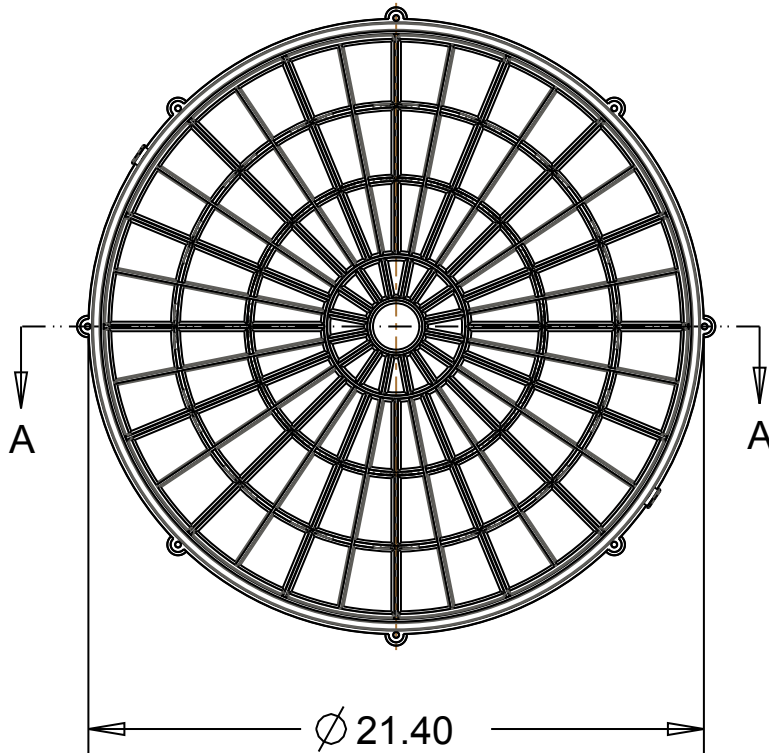
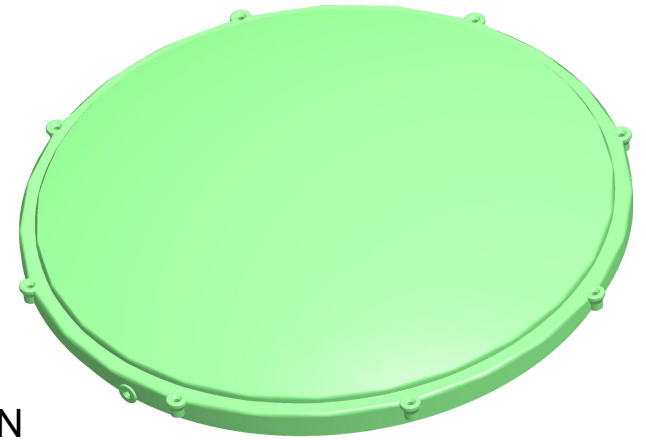


SECTION A-A

PERMANENT FOAMED-IN  
POLYURETHANE GASKET



**Material: Copolymer Polypropylene**  
**Color: Green**



**Drainage and Septic Products**

Tuf-Tite, Inc.  
1200 Flex Court  
Lake Zurich, Illinois 60047

TELEPHONE: 847.550.1011  
TOLL FREE: 800.382.7009  
FAX: 847.550.8004

**PART NAME:**  
**20" RISER LID**

**PART #:**  
**20 - RISL - GREEN**