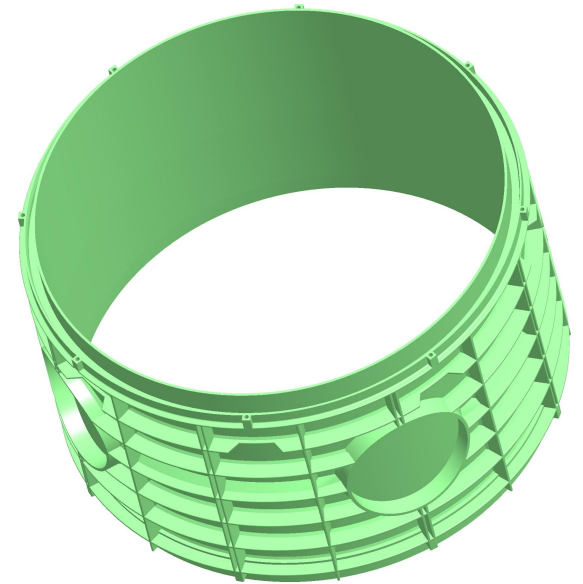
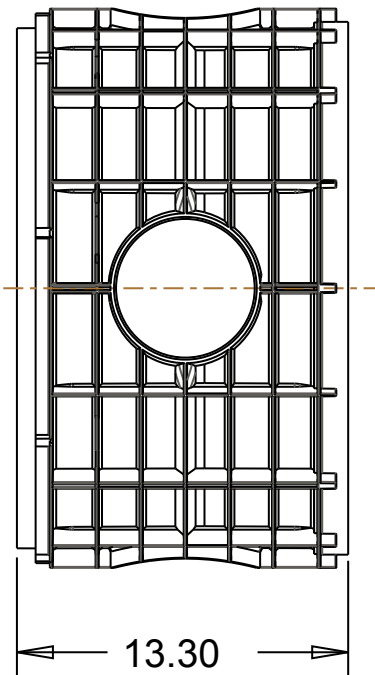
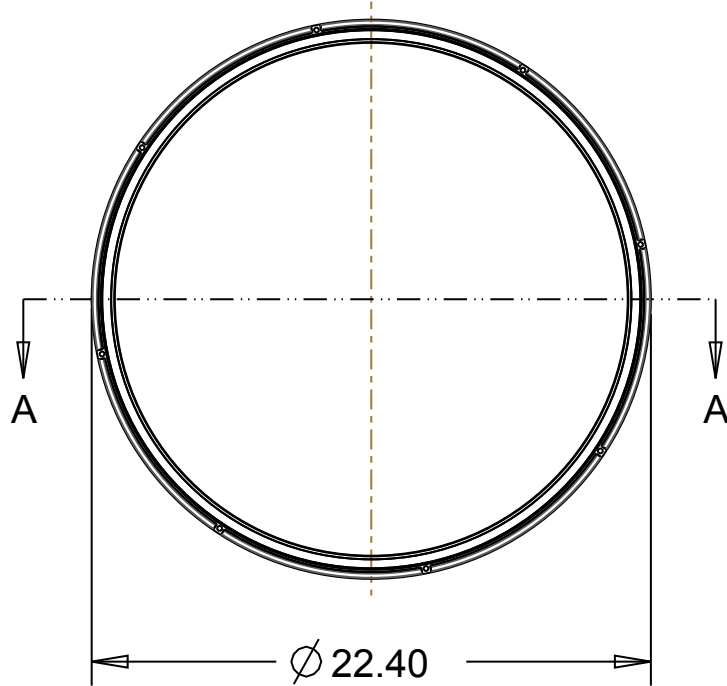
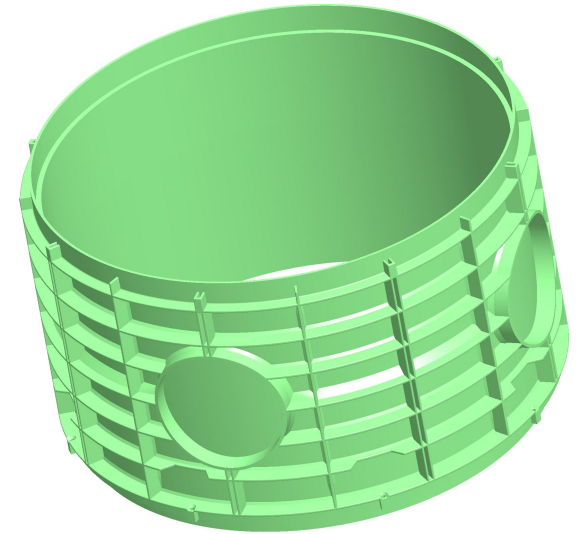


SECTION A-A



Material: Copolymer Polypropylene
Color: Green



Drainage and Septic Products

Tuf-Tite, Inc.
 1200 Flex Court
 Lake Zurich, Illinois 60047

TELEPHONE: 847.550.1011
 TOLL FREE: 800.382.7009
 FAX: 847.550.8004

PART NAME:
20" X 12" RISER

PART #:
20 X 12 - RIS - GREEN