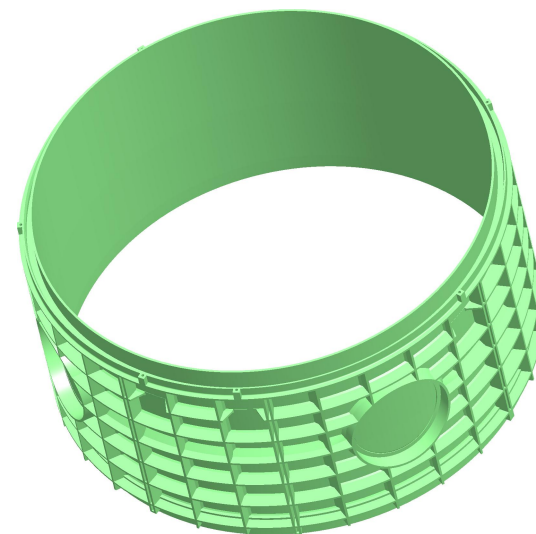
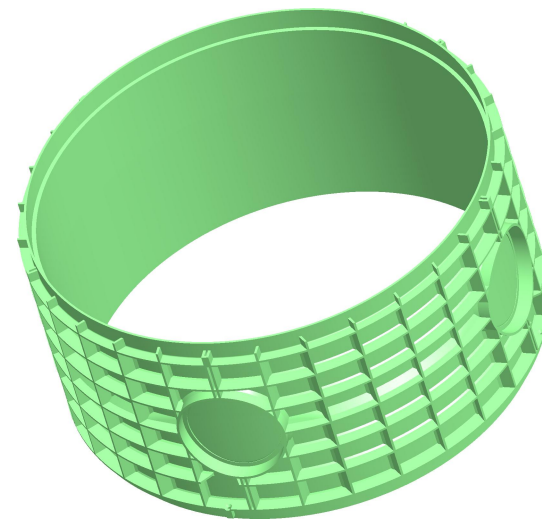
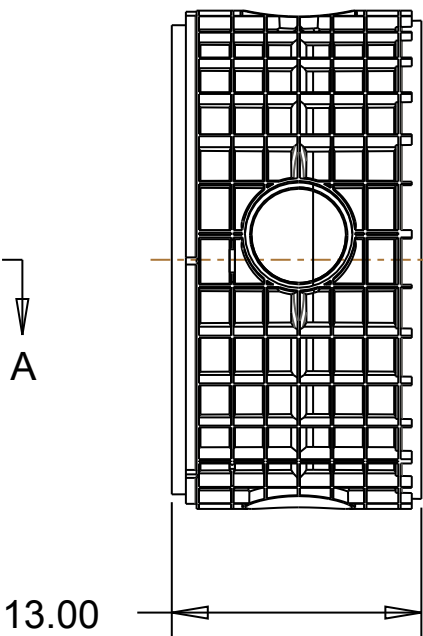
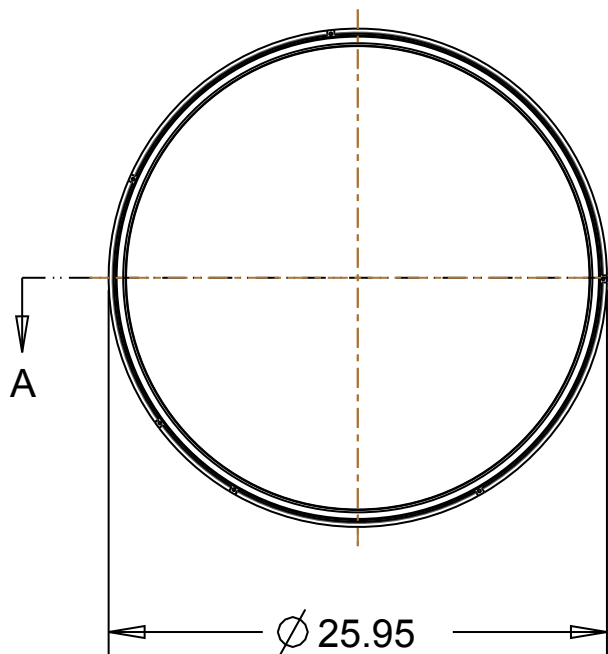


SECTION A-A



Material: Copolymer Polypropylene  
Color: Green



## Drainage and Septic Products

Tuf-Tite, Inc.  
1200 Flex Court  
Lake Zurich, Illinois 60047

TELEPHONE: 847.550.1011  
TOLL FREE: 800.382.7009  
FAX: 847.550.8004

PART NAME:  
24 X 12 RISER

PART #:  
24 X 12 - RIS - GREEN