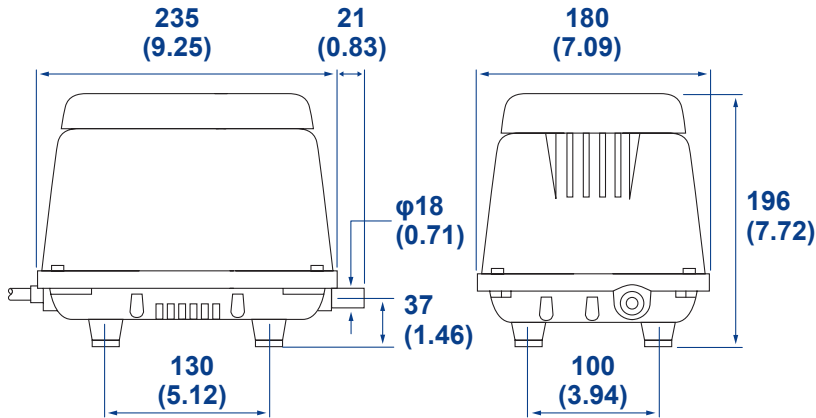


HP-60, 80

PRESSURE TYPE

Dimensions

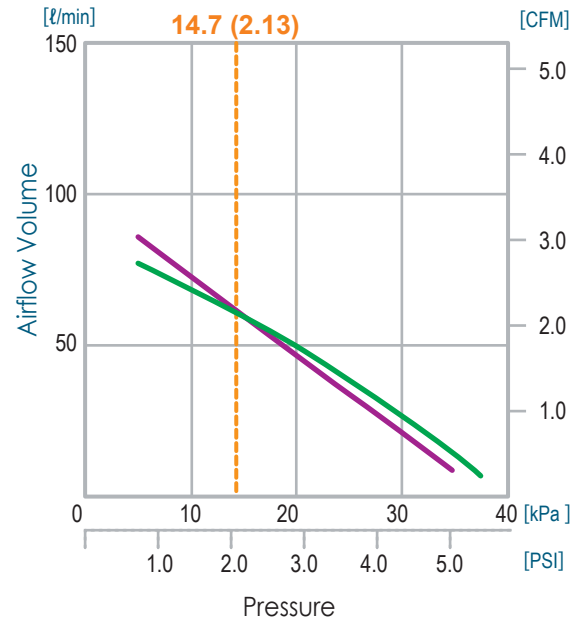
[Unit: mm(inch)]



Performance Curves

--- Rated Loading Pressure [kPa(PSI)]
 --- 50Hz --- 60Hz

HP-60



Specifications

		HP-60	HP-80
Rated Voltage	V	AC100 / 110-120 / 220-240	
Power Supply Frequency	Hz	50	60
Rated Loading Pressure	kPa	14.7	
Airflow Volume	ℓ/min	60	80
Power Consumption	W	51	71
Noise Level	dB(A)	35	36
Weight	kg	7.0	

HP-80

