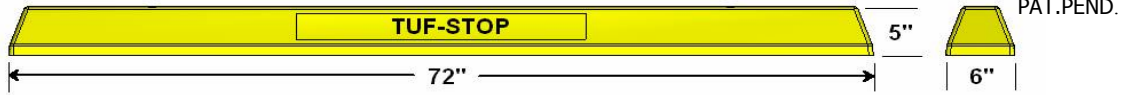


Introductory Special! Free Form with cartons

FREIGHT FREE!
On Full Cartons



TUF-STOP™ Parking Bumper



16 Gauge Galvanized Steel Form



Install with #4 or #5 Rebar



Available in Safety Yellow or Handicap Blue

**4 pounds of plastic
+ 120 pounds of concrete
= BEST CAR STOP ON THE MARKET!**



**Flip it
Fill it -
You're Done!**



**No
Reinforcement Needed**

FREE FORMS WITH CARTONS



8/half carton

16/full carton

+1 Form

+2 Forms

+3 Forms

+4 Forms

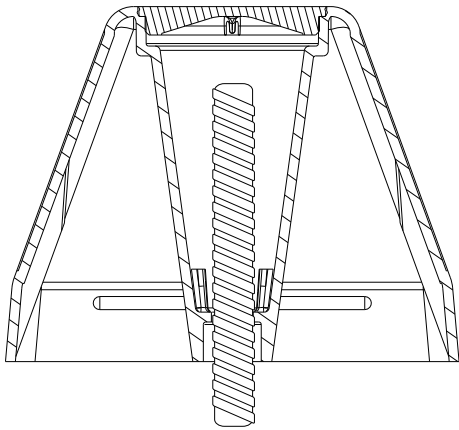
+5 Forms

1-7*	8-15	16-47	48-95	96-199	1 PALLET

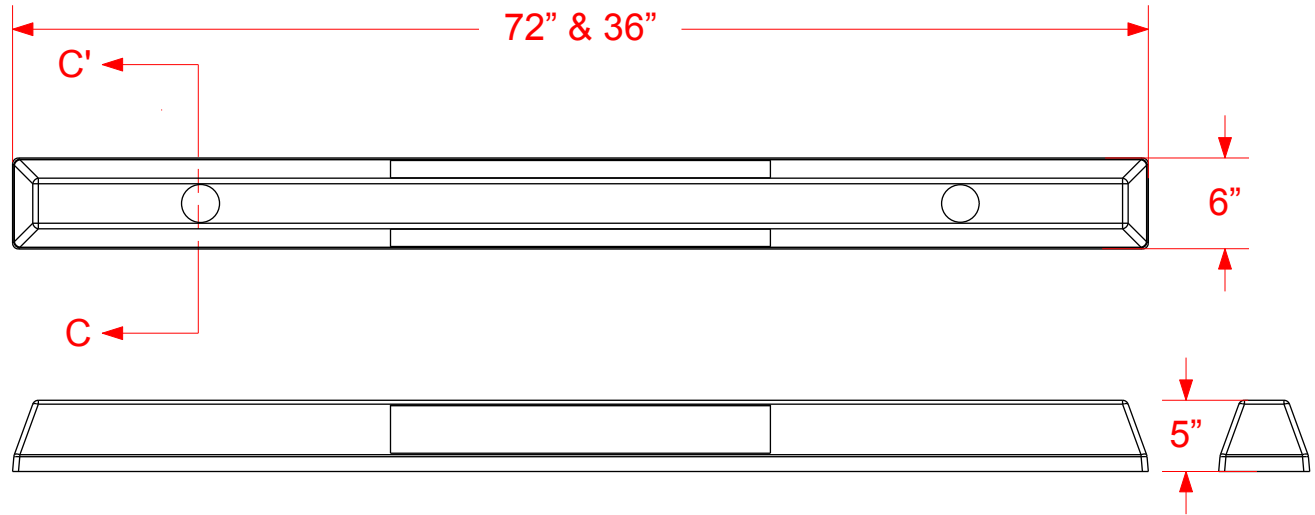
200 / Pallet

Tuf-Tite® ,Inc 1200 Flex Court, Lake Zurich, IL 60047

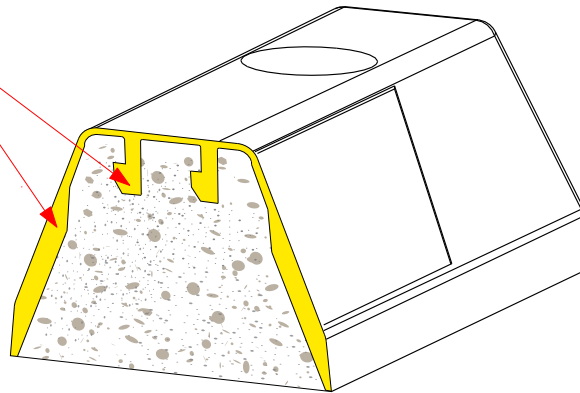
Phone 800-382-7009
Fax 847-550-8004



SECTION C - C



concrete keepers



COLORS: Safety Yellow OR Handicap Blue
MATERIAL: UV Stabilized, high-impact polymer
NOTE: MUST BE FILLED WITH CONCRETE



TUF-TITE®

Tuf-Tite, Inc.
 1200 Flex Court
 Lake Zurich, Illinois 60047

TELEPHONE: 847.550.1011
 TOLL FREE: 800.382.7009
 FAX: 847.550.8004

PART: **TUF-STOP**

PART #: TUF-STOP-YEL
 TUF-STOP-BLUE